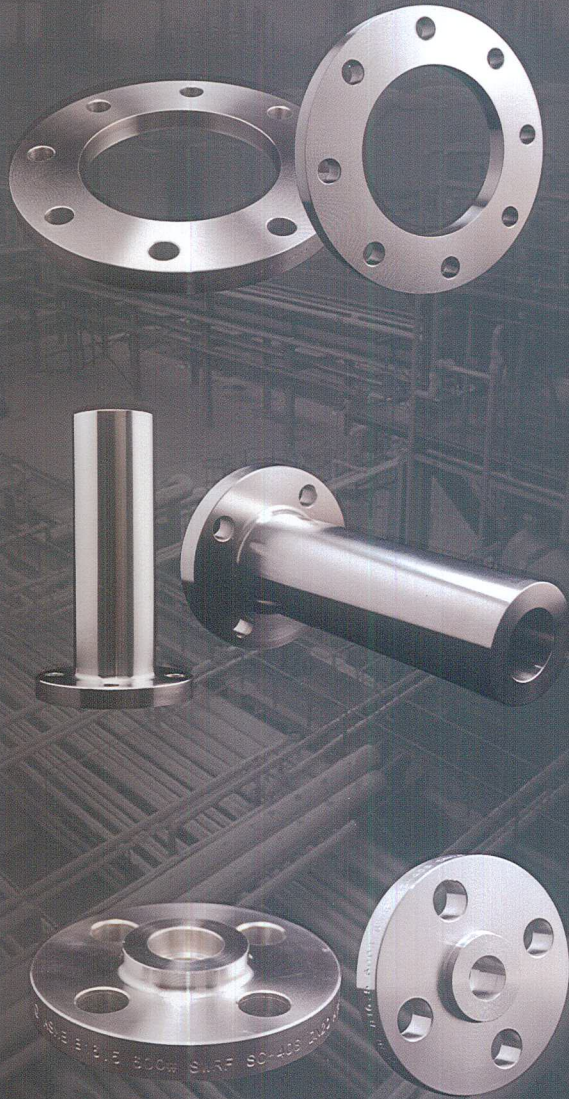


STANDARD FLANGES



Strength in material grade

Regular Stainless

EN GRADE	AISI GRADE
1.4301	A182-F304
1.4307	A182-304L (≥Ni9.5)
1.4401	A182-F316
1.4404	A182-316L S31603
1.4438	317L
1.4541	A182-F321 S32100
1.4550	A182-F347
1.4571	A182-316Ti
1.4841	A182-F310S S31000

Duplex and Super Duplex

EN GRADE	AISI GRADE
1.4462	A182-F51 S31803
1.4410	A182-F53 S32750
1.4501	A182-F55 S32760
1.4462	A182-F60 S32205

Titanium

EN GRADE	AISI GRADE
3.7235	

Low Temp. Alloy

EN GRADE	AISI GRADE
1.4903	A182-F91 A182-F9
1.5415	16Mo3
1.7335	A182-F11 A182-F12
1.7362	A182-F5
1.7380	A182-F22

Copper Nickel Alloy

EN GRADE	AISI GRADE
1.4547	S31254 F44, 254SMo
1.4539	N08904 904L
1.4558	N08800
1.4876	N08825
1.4876	N08810 800H
2.4360	N04400
2.4600	N10629
2.4602	N06022 B575
2.4605	N06059
2.4633	N06025
2.4660	N08020
2.4816	N06600
2.4819	N10276
2.4831	N06625
2.4858	N08825
2.1972	B151-C70620

